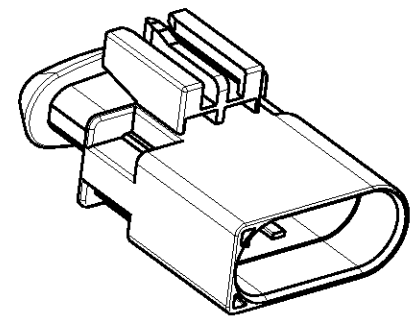
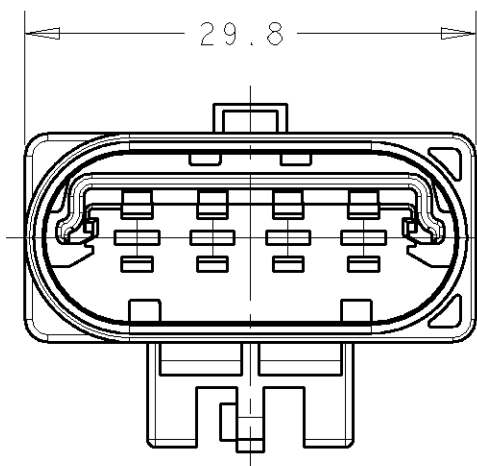


THIS DRAWING IS UNPUBLISHED. RELEASED FOR PUBLICATION 20
 © COPYRIGHT 20 BY TYCO ELECTRONICS CORPORATION. ALL RIGHTS RESERVED.

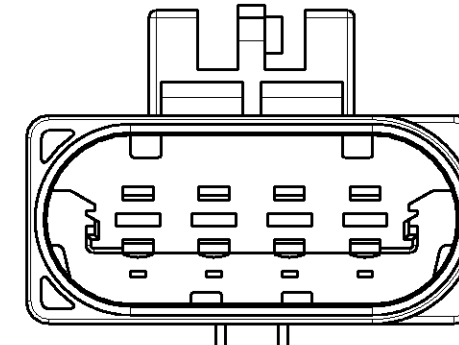
LOC		DIST		REVISIONS			
E	B	P	LTR	DESCRIPTION	DATE	DWN	APVD
		A		EBA0 0053 03	12MAY2004	JCM	BB
		B		ECR-07-017972	31JULY2007	MJH	BB



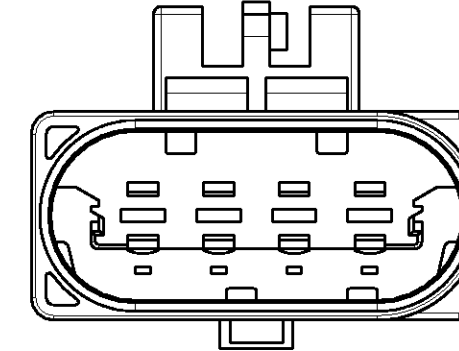
SCALE 1:1



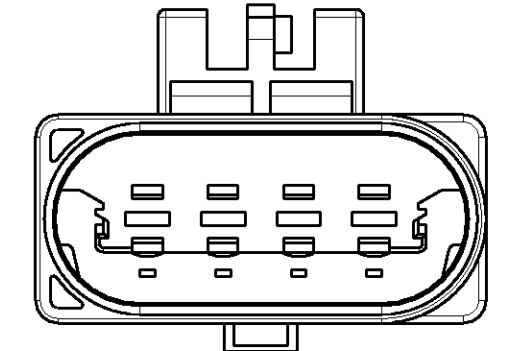
CODING OPTIONS
 VIEWS SHOW SECONDARY LOCK OMITTED FOR CLARITY



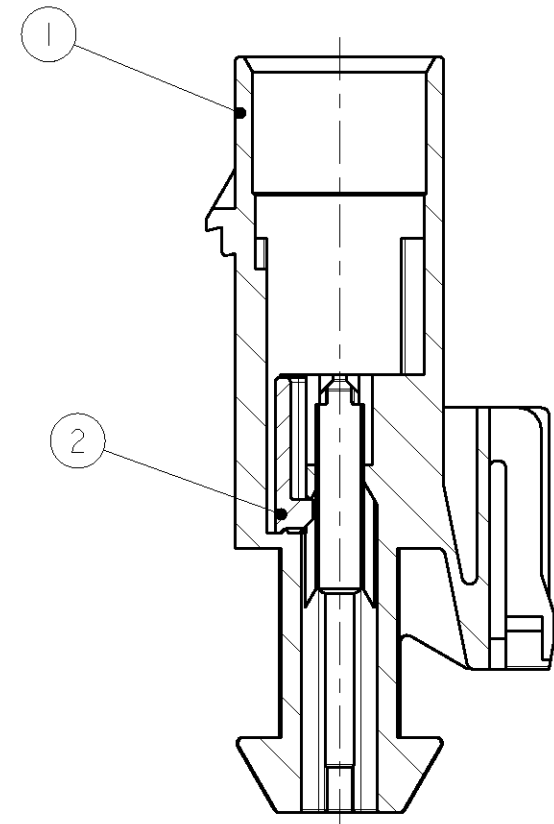
CODING A



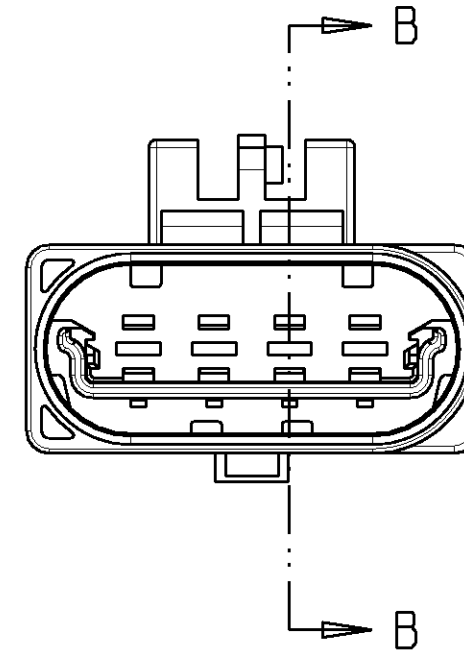
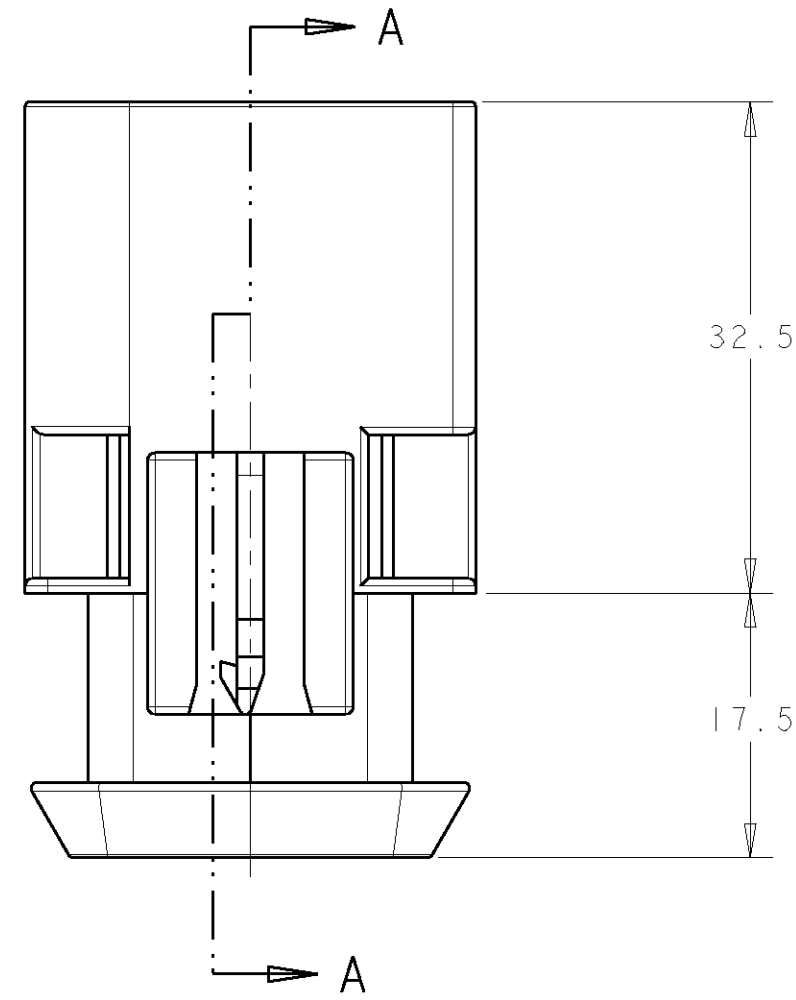
CODING B



CODING Z

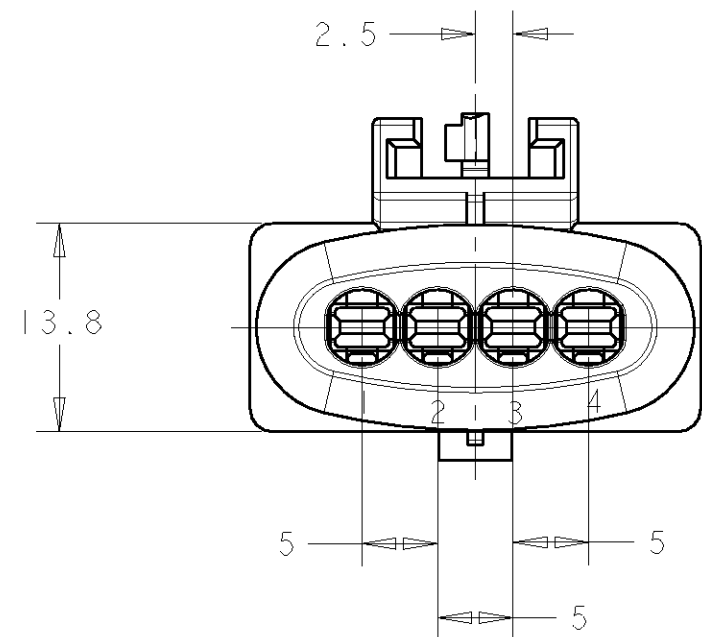


SECTION A-A



SECTION B-B

VIEWS ABOVE SHOW SECONDARY LOCK MOVED TO CLOSED POSITION, THIS IS NOT THE CONDITION OF DELIVERY.



NOTES:

- 1. SUITABLE FOR JPT TAB CONTACT WITH SINGLE WIRE SEALING.
- 2. PACKAGING : LOOSE PIECE

COLOUR	DESCRIPTION	POSN CODE	PART NUMBER
WATER BLUE	SECONDARY LOCK	2	Z 9-699297-1
WATER BLUE	TAB HSG	1	
NATURAL	SECONDARY LOCK	2	B 2-699297-1
BLACK	TAB HSG	1	
BLACK	SECONDARY LOCK	2	A 1-699297-1
BLACK	TAB HSG	1	

THIS DRAWING IS A CONTROLLED DOCUMENT FOR TYCO ELECTRONICS CORPORATION. IT IS SUBJECT TO CHANGE AND THE CONTROLLING ENGINEERING ORGANIZATION SHOULD BE CONTACTED FOR THE LATEST REVISION.		DWN	J. MARSH	14.11.03
DIMENSIONS:		CHK	B. B.	14.11.03
mm	TOLERANCES UNLESS OTHERWISE SPECIFIED:	APVD	BB	14.11.03
	LINEAR ±0.5	PRODUCT SPEC		
	Ø PLC ±0.1	APPLICATION SPEC		
	1 PLC ±0.1			
	2 PLC ±0.05			
	3 PLC ±			
	4 PLC ±			
	ANGLES ±0.5			
	FINISH			
MATERIAL	20% GF PBT	WEIGHT	4g	

DWN		J. MARSH	14.11.03	Tyco Electronics UK Ltd, Stanmore, Middlesex, HA7 4RS.
CHK		B. B.	14.11.03	
APVD		BB	14.11.03	NAME
PRODUCT SPEC		4 POSN. VDA CONNECTOR		
APPLICATION SPEC		-		
SIZE	CAGE CODE	DRAWING NO	RESTRICTED TO	
A2	00779	C-699297	-	
CUSTOMER DRAWING		SCALE	2:1	SHEET 1 OF 1 REV B